

SMOKE & STROBE COMBO

PHOTOELECTRIC

CAT. **7010BSL**



INTEGRATED SMOKE ALARM & STROBE LIGHT

One device includes both a strobe light and photoelectric smoke alarm. Requires only one electrical box. Saves installation time.

SMART STROBE

Separate flash patterns to distinguish between smoke and carbon monoxide.

177 CANDELA XENON STROBE

Powerful 177 candela xenon strobe light provides effective visual warning to hearing impaired residents.

1 Hz FLASH RATE

60 flashes per minute rate meets ADA, ANSI 117.1, NFPA 72 and UL1971 requirements for visual signal devices.

OPTIPATH 360 TECHNOLOGY™

Provides 360 degrees of direct access to the smoke sensing chamber.

BATTERY BACKUP

Two AAA batteries provide backup for the smoke alarm during power outages. (Note: will not power the strobe light).



BRK®

THE PROFESSIONAL STANDARD

120V AC, 60Hz Wire-in with two AAA Battery Backup for Alarm

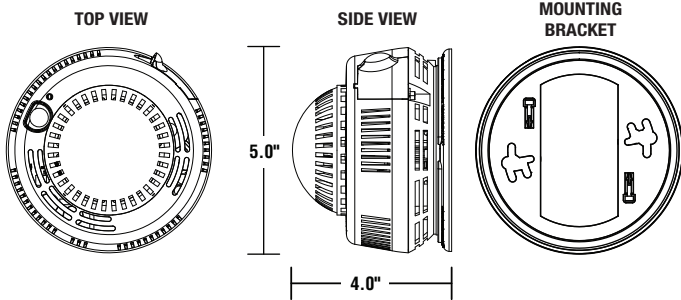
Description:

The BRK Brands, Inc. Model Number 7010BSL is a wire-in, 120V AC 60Hz single and/or multiple station photoelectric smoke alarm with integrated 177 candela strobe light specifically designed for residential and institutional applications including sleeping rooms of hospitals, hotels, motels, dormitories and other multi-family dwellings as defined in standard NFPA 101. Model 7010BSL complies with UL217, UL1971, CSFM, NFPA 72, HUD, FHA and other agencies that model their codes after the above agencies. They meet building codes where AC with battery backup, silence, photoelectric smoke alarms are required. The alarms are interconnectable with up to 18 devices, of which 12 can be smoke alarms.

The BRK 7010BSL alarms feature a photoelectric smoke sensing chamber, an integrated 177 candela strobe light, an 85dB horn and AAA battery back-up for alarm. The Strobe Light is designed to provide deaf & hard of hearing individuals with a visual warning of a fire. The Smart Strobe has separate flash patterns for smoke/heat and carbon monoxide dangers (when connected to a First Alert CO alarm). This helps a hearing impaired person better distinguish the danger present. The 177 candela Xenon strobe meets UL 1971 requirements and flashes at a rate of an average of 60 times a minute. This alarm features two latching features and two silence features. Alarm Latch: Easily identifies initiating alarm even after alarm condition has subsided. Low Battery Latch: Identifies which unit is in low battery condition by blinking the green power light. Low Battery Silence: Temporarily silence the low battery chirp for up to eight hours. Alarm Silence: Silence alarm for several minutes. Optipath 360 technology provides 360 degrees of direct access to the smoke sensing chamber. Replace battery without removing alarm from ceiling. Other Contractor preferred features include a dust cover, keyhole slots in the mounting bracket eliminate the need to remove the electrical box screws for installation, two locking features and a "Quick-Connect" wiring harness.



CAT. 7010BSL



ARCHITECTURAL AND ENGINEERING SPEC

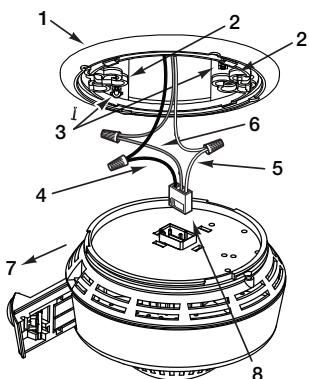
The integrated strobe light & smoke alarm shall be a BRK Model 7010BSL and shall provide at a minimum the following features and functions:

1. A photoelectric smoke sensing chamber.
2. A 177 candela Xenon strobe light. The Smart Strobe shall have separate flash patterns to distinguish between smoke/heat and carbon monoxide dangers.
3. Fully screened sensing chamber to resist entry of small insects thereby reducing the probability of unwanted alarms.
4. Powered by 120V AC, 60Hz and have a monitored two AAA battery backup for alarm and a solid state piezo horn rated at 85dB at 10 ft and be capable of self restoring.
5. A visual green LED power-on indicator to confirm unit is receiving power or is in alarm.
6. A full function test button should check all alarm functions by simulating a smoke condition, causing the unit to alarm.
7. Two Latching features: Alarm Latch to easily identify initiating alarm after alarm condition has subsided. Low battery latch: to visually identify which unit is in low battery condition. Two Silence Features: Alarm Silence to temporarily silence nuisance alarms. Low Battery Silence to silence low battery chirp for up to 8 hours.
8. Two Locking features - tamper resistant locking pins that lock battery drawer and/or alarm to mounting bracket.
9. The unit shall be capable of operating between 40°F (4°C) and 100°F (38°C) and relative humidity between 10% and 90%.
10. The unit shall have a plug in connector and be capable of interconnection of up to 18 alarms, 12 of which can be smoke alarms.
11. The unit shall at a minimum meet the requirements of UL217, UL1971, ADA, ANSI 117.1, CSFM, NFPA 72, NFPA 101 and the ICC.

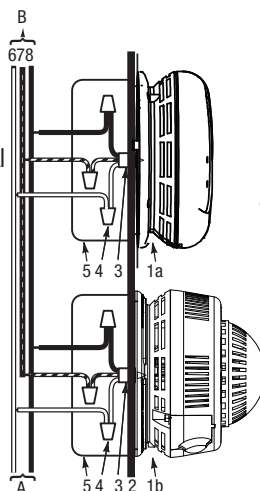
INSTALLATION OF ALARM

Installation of this smoke alarm must conform to all local electrical codes and Article 760 of the National Electrical Code (NFPA 70) and NFPA 72. Interconnected units must meet the following requirements: Total length of wire interconnecting units should be less than 1000 feet, be #18 gauge or larger and be rated at least 300V. It is recommended that all units be on the same fuse or circuit breaker. If local codes do not permit, be sure the neutral wire is common to both phases.

THE PARTS OF THIS SMOKE ALARM



1. Mounting bracket
2. Mounting Slots
3. Locking Pins
4. Hot (Black) AC Wire
5. Neutral (White) AC Wire
6. Interconnect (Orange) Wire
7. Pull-out Battery Drawer
8. Quick-Connect Plug



- A. Unswitched 120VAC 60 Hz source
- B. To additional units; Maximum = 18 total (Maximum 12 Smoke Alarms)
- 1a. Smoke Alarm
- 1b. Smoke/Strobe Combo
2. Ceiling or Wall
3. Power Connector
4. Wire Nut
5. Electrical Box
6. Neutral Wire (White)
7. Interconnect Wire (Orange)
8. Hot Wire (Black)

UL1971 Signaling Devices Light Dispersion Chart

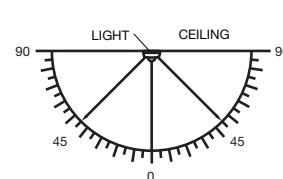


FIGURE 1: Light Output for Ceiling Mount

Angle (In Degrees)	Percent Light Intensity
0	100
5-25	90
30-45	75
50	55
55	45
60	40
65	35
70	35
75	30
80	30
85	25
90	25

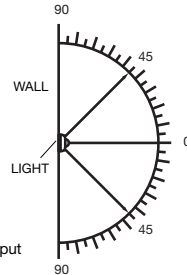


FIGURE 2: Light Output for Wall Mount

TECHNICAL SPECS

Alarm Dimensions:	5.1" dia x 4.0"H
Weight:	10.9 oz
Operating Voltage:	120V AC 60Hz w/ two AAA battery backup for alarm Voltage Range: 108V AC to 132V AC
Operating Current:	0.05/0.60 amps (standby/alarm)
Temperature Range:	40°F (4°C) to 100°F (38°C)
Humidity Range:	10% to 90% relative humidity (RH)
Audio Alarm:	85dB at 10 feet
Test/Silence:	Electronically simulates smoke condition, causing the unit to alarm. Press and hold test/silence button
Alarm Reset:	Automatic when smoke clears
Interconnections:	Up to 18 units of First Alert or BRK Smoke, CO and Heat Alarms. Maximum of 12 smoke alarms. See user's manual for details.
Smoke Sensor:	Photoelectric
Strobe Light:	177 candela Xenon strobe
Flash Rate:	1 Hz.
Smoke Alarm:	Constant approx. 1 flash per second.
CO Alarm:	Intermittent approx. 1 flash per second for four flashes, then 5 seconds off. Pattern is repeated.
Indicator Lights/Sounds:	
AC Power:	Constant Green LED
DC Power:	Intermittent Red LED
Local Alarm:	Red LED flashes rapidly, steady flashing strobe
Remote Alarm:	Red LED out.
Listing:	Listed to UL217 & UL1971 Standards

SHIPPING SPECS

Individual Carton Dimensions	5.25"L x 4.13"W x 5.44"H
Weight	0.97 lbs.
Cube	0.07 ft ³
UPC	0 29054 12104 2

Master Carton Dimensions	12.63"L x 5.81"W x 5.94"H
Master Pack	3
Weight	3.24 lbs.
Cube:	0.25 ft ³
I2of5:	300 29054 12104 3

Pallet Information	
Cases per Layer	24
Number of Layers:	7
Cases per Pallet:	168
Units per Pallet:	504
Cube:	47.5 ft ³
Weight:	609 lbs.



©2014 BRK Brands, Inc. a Jarden Corporation
Company (NYSE: JAH)
3901 Liberty Street Road
Aurora, IL 60504-8122
All rights reserved

First Alert is a registered trademark of the First Alert Trust
BRK is a registered trademark of BRK Brands, Inc.
CM3032