



Catalog #		Type
Project		Date
Comments		

PRODUCT SPECIFICATION DATA

DESCRIPTION

6" Line voltage 120V New Construction IC Airtight Housing. Can be in direct contact with insulation. Ideal for general, accent and task lighting.

FEATURES

- UL / cUL listed for damp location, feed-through wiring, and direct contact with insulation
- Thermally protected against misuse of insulation materials and improper lamping
- Sealed housing to prevent airflow from air conditioned or heated areas into ceiling
- Housing adjusts to accommodate various ceiling thickness
- Adjustable socket mounting plate for proper positioning of different lamp types
- Can be dimmed using standard incandescent dimmer

HOUSING

Steel housing, vertically adjustable (up to 1") which allows housing to be flush with ceiling.

BARHANGERS

The housing is equipped with pre-installed adjustable barhangers to locate the housing between joist with 16" to 24" space. The special design of the barhangers allows easy ceiling installation of the housing.

PLASTER FRAME

22 gauge die-formed galvanized mounting frame with regressed locking screw for securing barhangers.

JUNCTION BOX

Pre-wired junction box with 7 1/2" knockouts with pryout slots and (4) romex knockouts with built-in strain relief to hold wire in place without any connectors. Junction box is equipped with grounding wire. Listed for through branch circuit.

LAMP & SOCKET

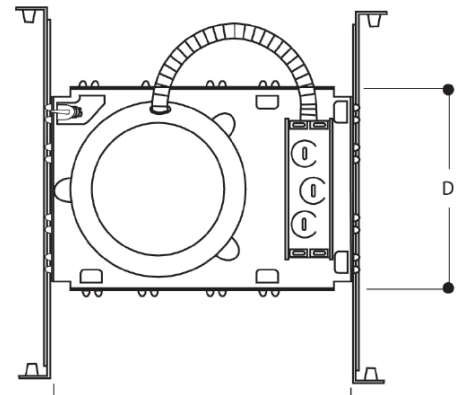
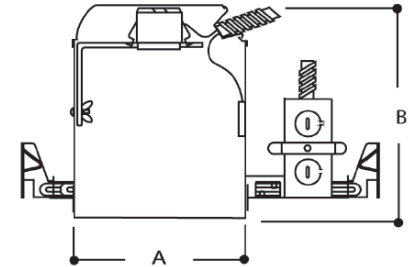
Medium base porcelain with nickel plated copper screw shell socket. Maximum of 75W R30/PAR30; 90W BR40.

INSTALLATION

- 7 1/2" height allows the fixture to be installed where 2x8 joist exists
- Housing can be removed from plaster frame for junction box access
- Housing can be adjusted vertically to accommodate 1/2" to 1" thick ceiling
- Housing comes with 4 pre-positioning nails for ease of installation
- Comes with quick connectors which makes wiring connection easy. No wire nuts necessary.

LISTINGS

UL/cUL Listed for feed through and damp location.



DIMENSIONS

CEILING CUT-OUT 6 3/8"

A:	6 1/4" (159mm)	C:	9" (229mm)
B:	7 1/2" (190mm)	D:	6 7/8" (174mm)

EXAMPLE:

Housing	Type	Trims	Trim Finish
DH6	ICAT	D600	C

ORDERING INFORMATION

Housing	Type	Trims			Trim Finish	
DH6 - 6" Line Voltage New Construction Housing	ICAT - IC Airtight	D600	D67	D651	D604	C - Clear
		D656	D614	D670	D613	W - White
		D630	D616	D620	D602	B - Black
		D630 ATOR	D617	D621	D611	NS - Natural Steel
		D640	D629	D622	D615	G - Gold
		D608	D651	D623		
		D650	D629	D624		
		D64	D617	D60		
		D65	D629	D603		

