

PRODUCT SPECIFICATIONS



6" vertical application shown

- Designed for Commercial and Residential New Construction Applications
- Available in Vertical or Horizontal mounted lamps
- 13W, 18W, 26W, 32W, 42W Vertical or Horizontal GX24q 4-pin CFL
- Electronic ballast, 120/277V power feed
- Adjustable bar hanger with 16" to 24" joist span
- cULus Classified, IC rated (model specific), ASTM E283 certified Air Tight (model specific), Damp Location listed



Frame-in Kit

HOUSING: 22 ga. die-formed aluminum fastened to 22 ga. steel mounting frame (vertical frame-in kit, sloped vertical frame-in kit).

JUNCTION BOX: Galvanized steel. Equipped with (7) 1/2" knockouts with pryout slots to allow straight conduit runs. (4) knockouts for non-metallic sheathed cable installation. Junction box tension spring allows snap-in installation of plate cover for easy access to wiring. Approved for 8 (four-in, four-out) #12 AWG 90 through wire conductors.

MOUNTING: Pre-installed adjustable bar hangers engineered to accommodate lumber, laminated beams and T-bar.

LAMP SOCKET BASE: Thermoplastic body material with bottom snap-in mounting type. Quick connect 18AWG solid tinned. UL/CSA certified. DTT 4-pin lamps - 13W (G24q-1), 18W (G24q-2), 26W (G24q-3). TRT 4-pin lamps - 26W (GX24q-3), 32W (GX24q-3), 42W (GX24q-4). Designed for electronic ballast operation with End-Of-Life (EOL) protection.

BALLAST: UL Listed and Class "P" Sound Rated "A" 120V to 277V High Power Factor American Brand electronic compact fluorescent ballast with auto-reset shutdown circuit per NEMA recommendations. Thermal protected (vertical frame-in kit only).

DIMMING: .

CEILING: 1/2" up to 1".

CUTOUT: 4 3/8" (4" frame-in kit), 5 3/4" (5" frame-in kit), 6 3/8" (6" frame-in kit).

LISTINGS: IC rated (model specific). cULus Listed. ENERGY STAR® qualified. Title 24 2013 compliant. ASTM E283 certified Air Tight (model specific). UL Damp Location Listed.

Trim

CONSTRUCTION: Die-cast aluminum.

| | | |
|---------------|----------|-------|
| Product Code: | Type: | |
| Project: | Contact: | Date: |



PRODUCT SELECTION GUIDE

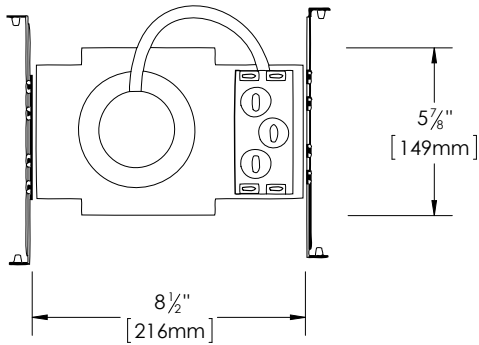
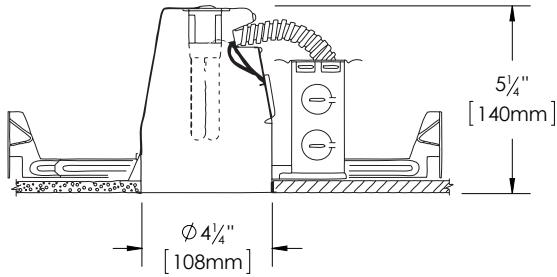
FRAME-IN KIT

Product Code Example: **DHF413ICAT**

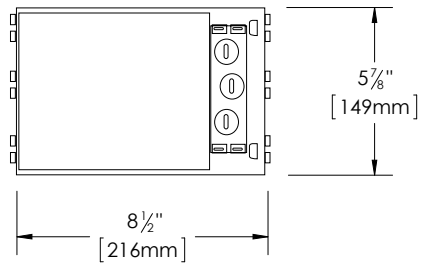
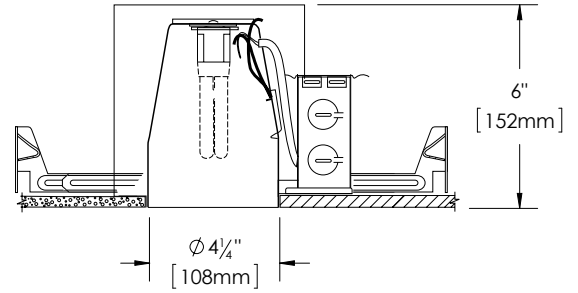
| PRODUCT CODE | APERTURE | LAMP | TYPE | BALLAST | | |
|---|--|--|---|--|---|--|
| DHF | Vertical CFL Housing | 4 4" Aperture Only available in vertical housing | 13 1 x 13W Only available in vert & vert sloped housing | ICAT IC, Air Tight Model specific | [Blank] 120/277V Electronic | |
| | | | | 120 120V Electronic | | |
| DHF9 | Vertical CFL Sloped Housing Only available in 6" aperture | 5 5" Aperture Only available in vertical housing | 113 1 x 13W Only available in horizontal housing | [Blank] Non-IC | EM Emergency Ballast | |
| | | | | | DIM Dimming Ballast (Universal) | |
| DHF7 | Horizontal CFL Housing Only available in 6" aperture | [Blank] 6" Aperture | 18 1 x 18W Only available in vert & vert sloped housing | [Blank] Non-IC | DLU Lutron Dimming Ballast | |
| | | | | | 118 1 x 18W Only available in horz & horz shallow housing | DM7 Advance Mark 7 Dimming Ballast |
| | | | | | 26 1 x 26W Only available in 4" vert, 5" vert & vert sloped housing | DMX Advance Mark 10 Dimming Ballast |
| | | | | | 126 1 x 26W Only available in 6" vert, horz & horz shallow housing | |
| | | | | | 132 1 x 32W Only available in 6" vert and horz housing | |
| | | | | | 142 1 x 42W Only available in 6" vert and horz housing | |
| | | | | | 126/32 1 x 26/32W Only available in 6" vert housing | |
| | | | | | 126/32/42 1 x 26/32/42W Only available in 6" vert & horz housing | |
| | | | | | 26 2 x 13W Only available in 6" vert housing | |
| | | | | | 213 2 x 13W Only available in horz & horz shallow housing | |
| 218 2 x 18W Only available in horz & horz shallow housing | | | | | | |
| 226 2 x 26W Only available in horz & horz shallow housing | | | | | | |

FRAME-IN KIT DIMENSIONS

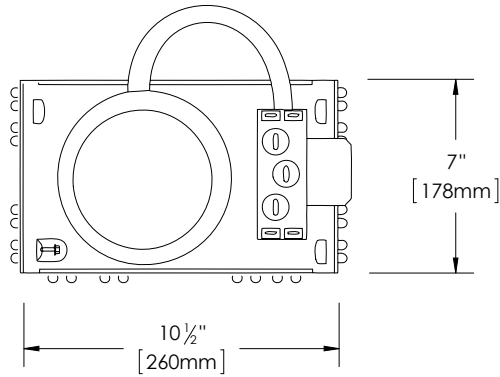
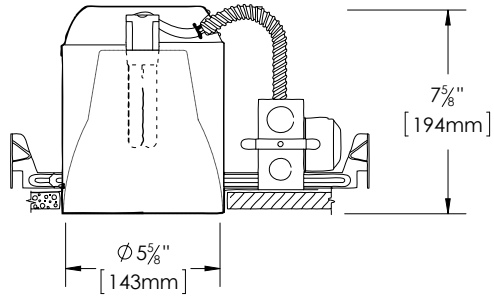
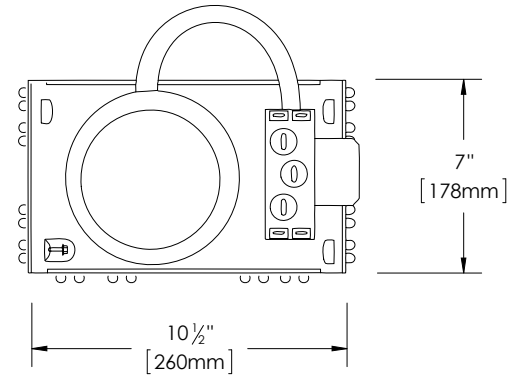
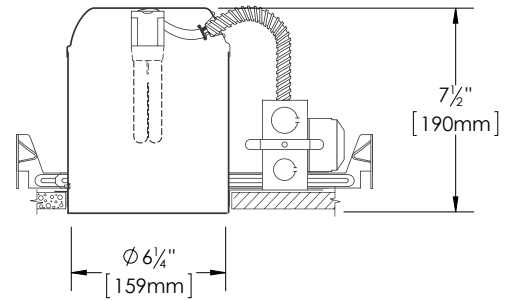
DHF4
4" Vertical CFL Non-IC
New Construction Frame-in Kit



DHF4xxIC
4" Vertical CFL IC
New Construction Frame-in Kit

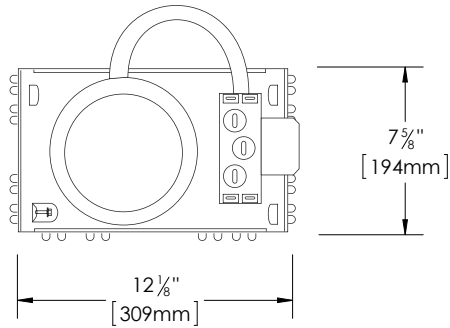
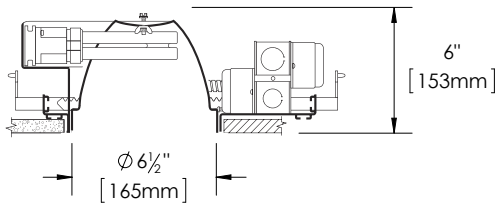


FRAME-IN KIT DIMENSIONS

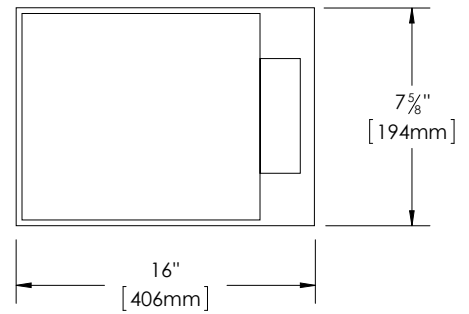
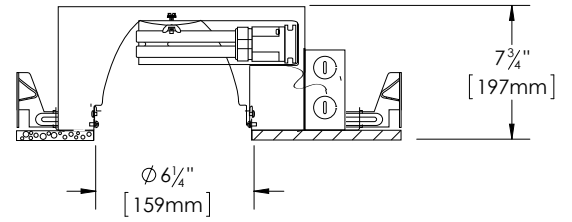
DHF55" Vertical CFL IC
New Construction Frame-in Kit**DHF**6" Vertical CFL IC
New Construction Frame-in Kit

FRAME-IN KIT DIMENSIONS

DHF7
6" Horizontal CFL Non-IC
New Construction Frame-in Kit



DHF7xxIC
6" Horizontal CFL IC
New Construction Frame-in Kit



FRAME-IN KIT DIMENSIONS

DHF9
6" Sloped Vertical CFL IC
New Construction Frame-in Kit